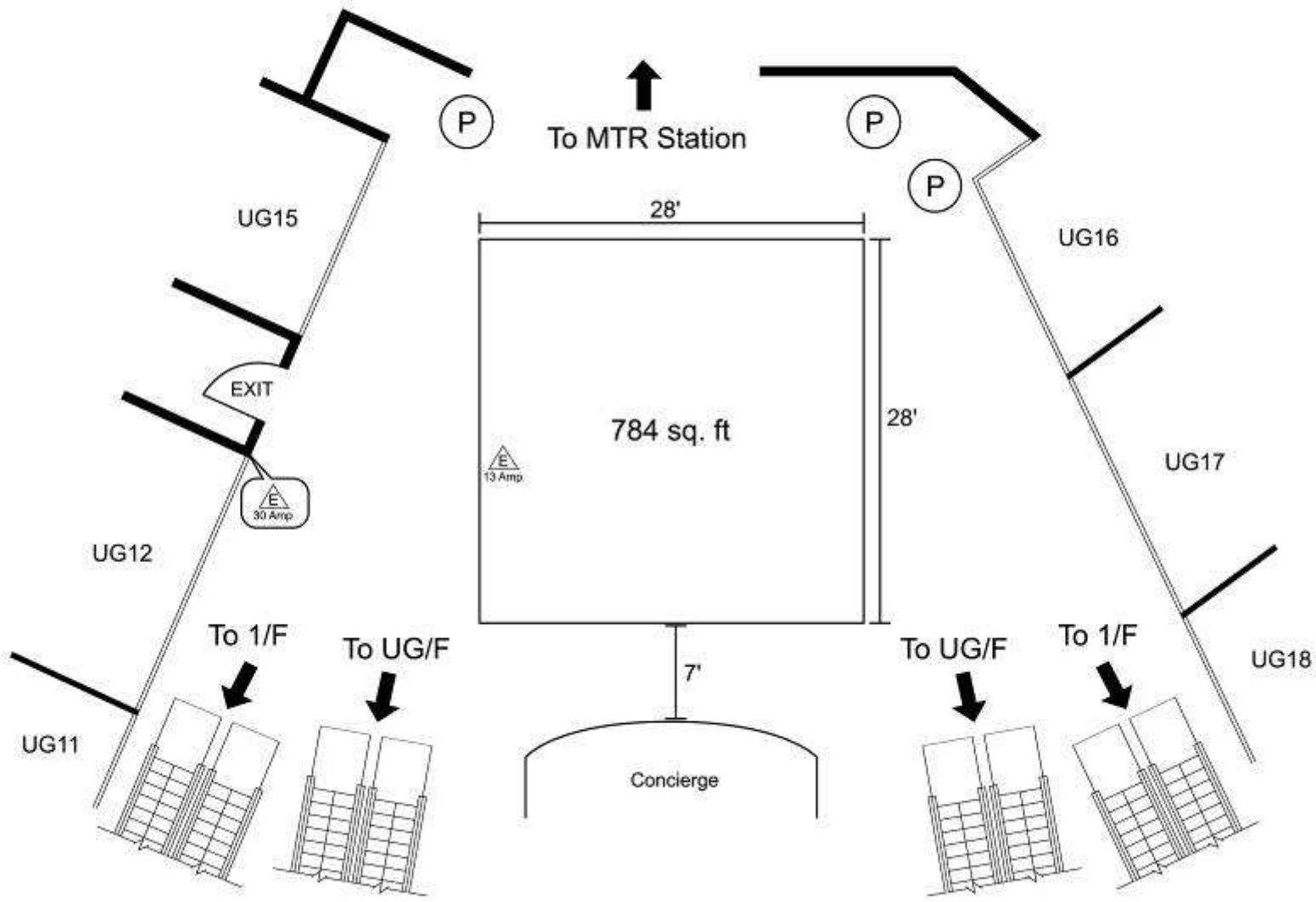
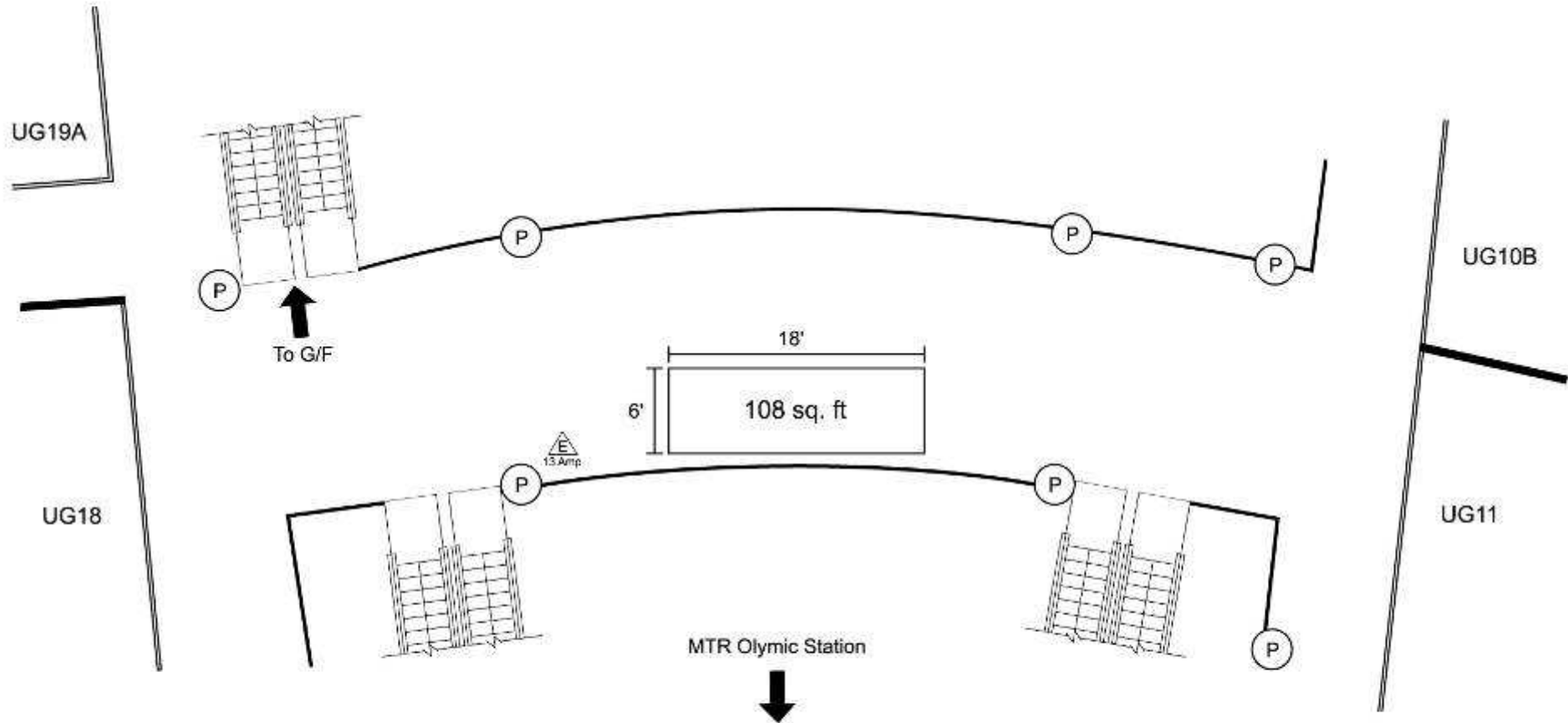


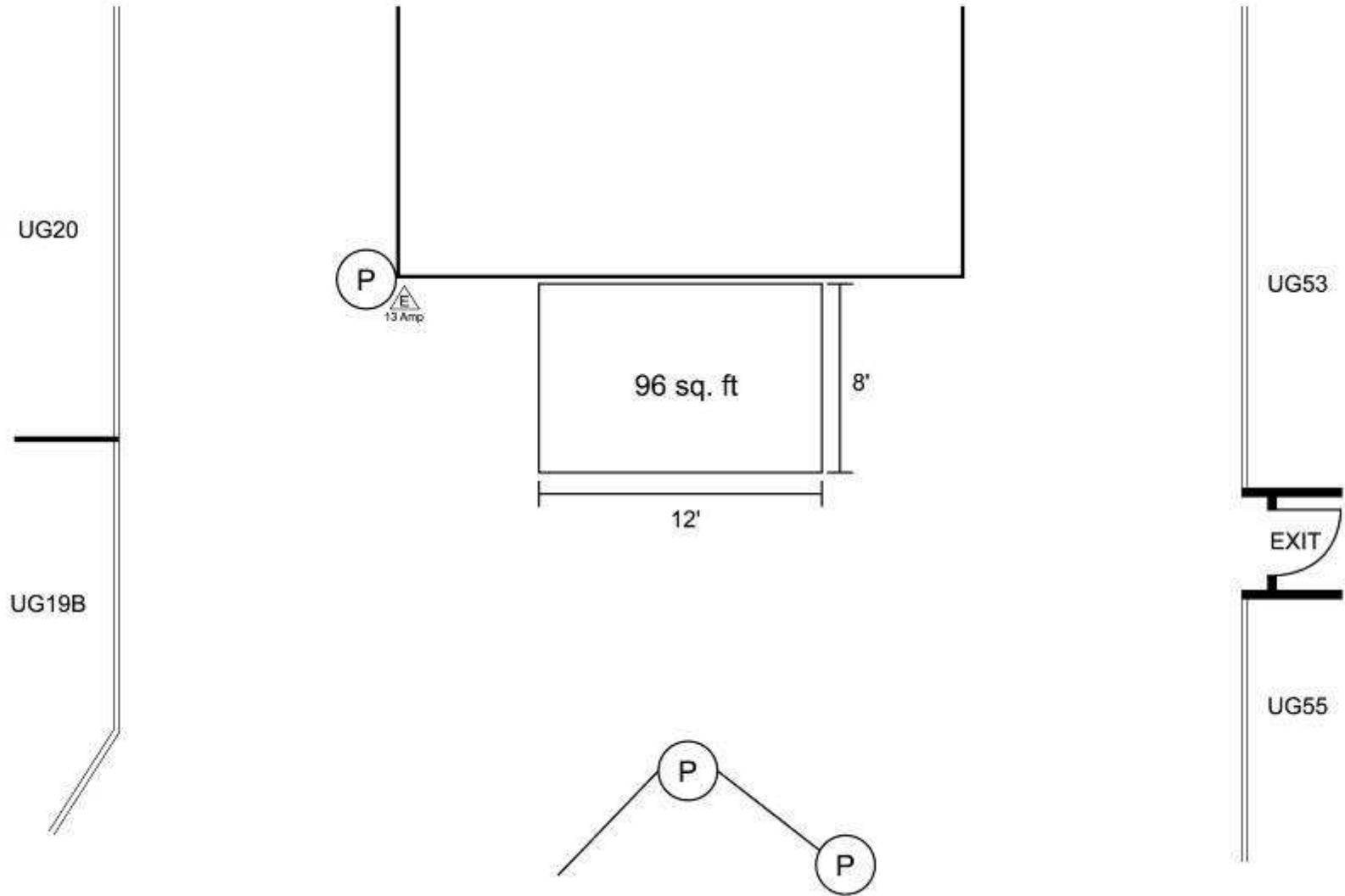
FLOOR PLAN
OLYMPIAN CITY 2
UG/F, DOME ATRIUM



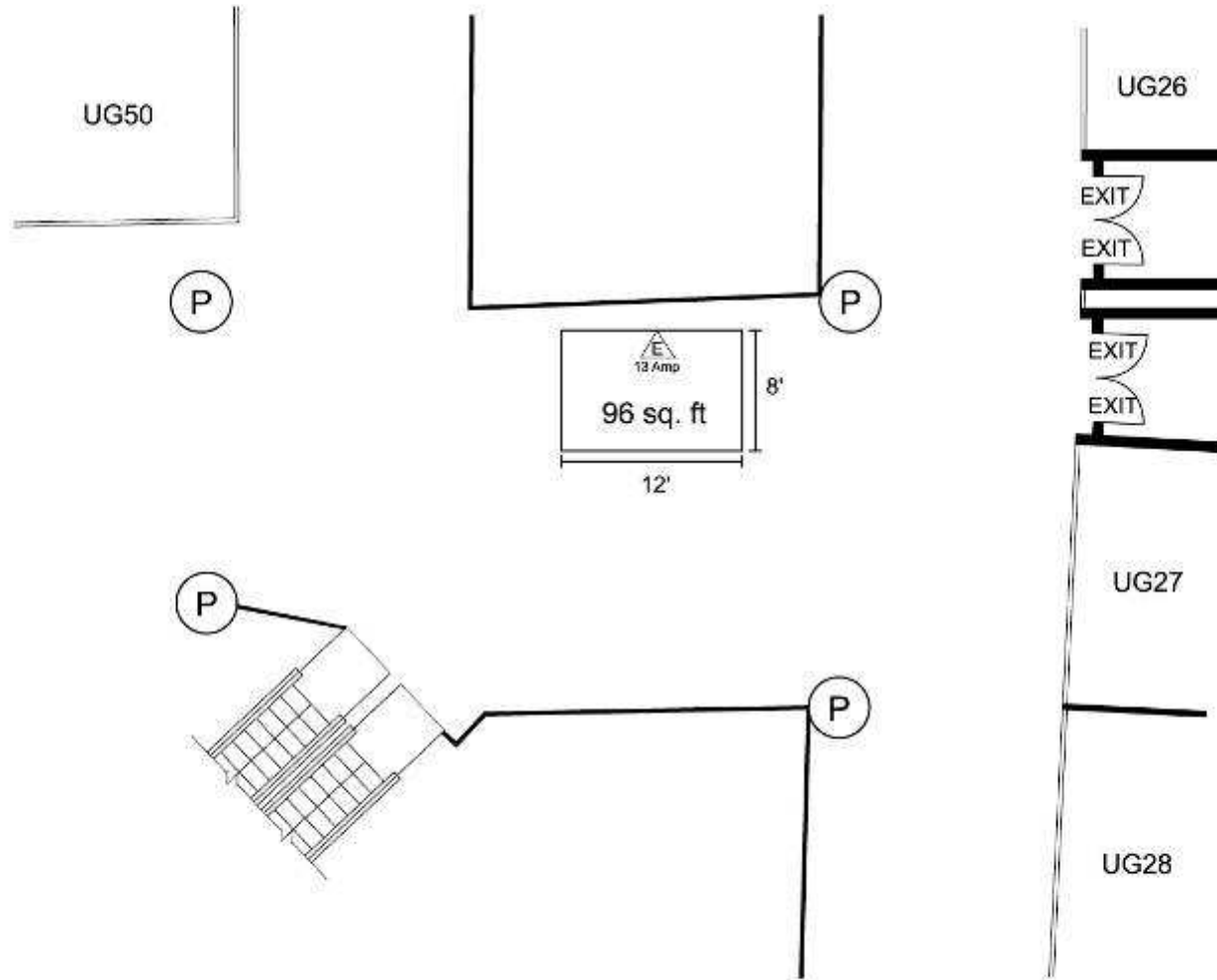
FLOOR PLAN
OLYMPIAN CITY 2
UG/F, EXHIBITION CORRIDOR 1



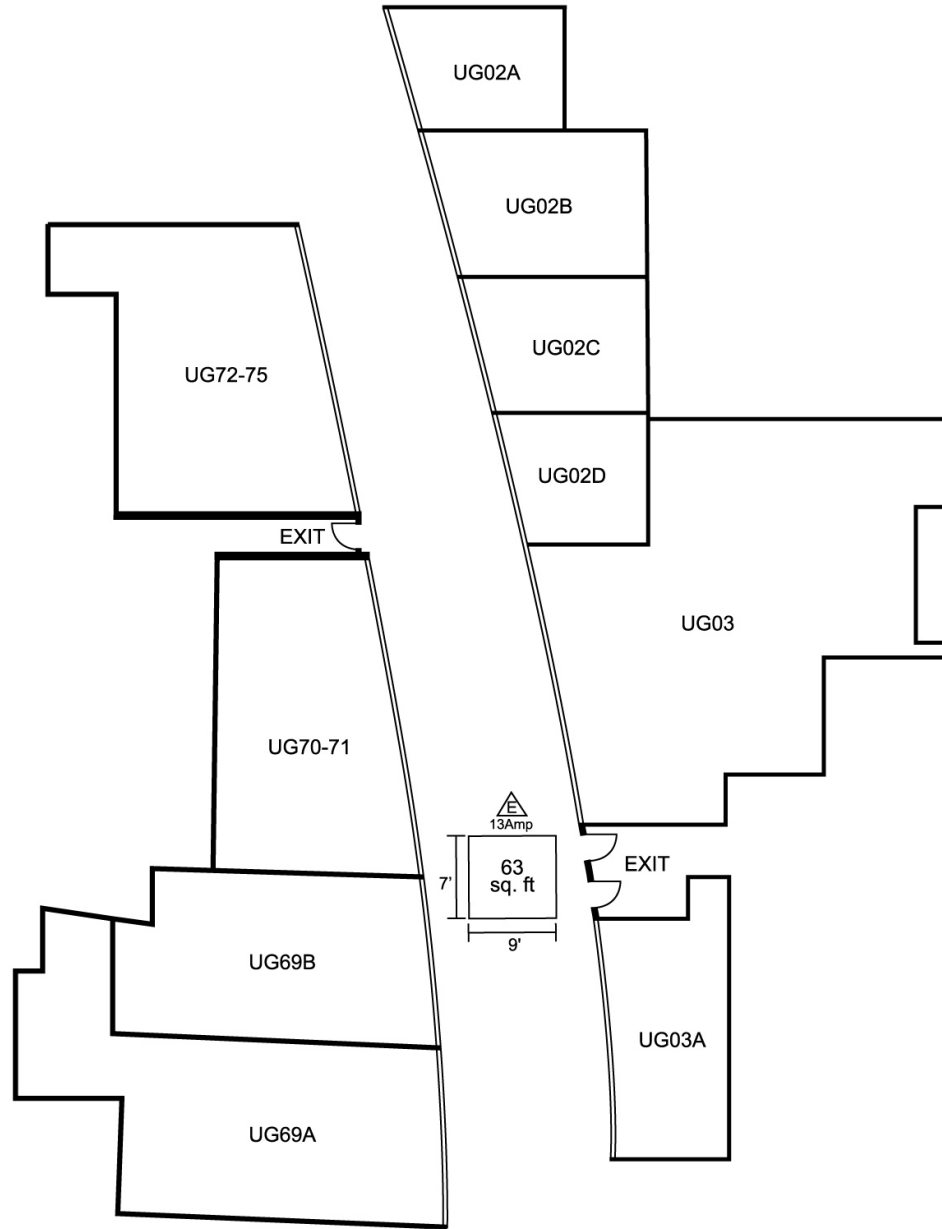
FLOOR PLAN
OLYMPIAN CITY 2
UG/F, EXHIBITION CORRIDOR 2



FLOOR PLAN
OLYMPIAN CITY 2
UG/F, EXHIBITION CORRIDOR 3



FLOOR PLAN
OLYMPIAN CITY 2
UG/F, STAR GALLERY (outside shop UG69B)



FLOOR PLAN
OLYMPIAN CITY 2
UG/F, EXHIBITION GALLERY

